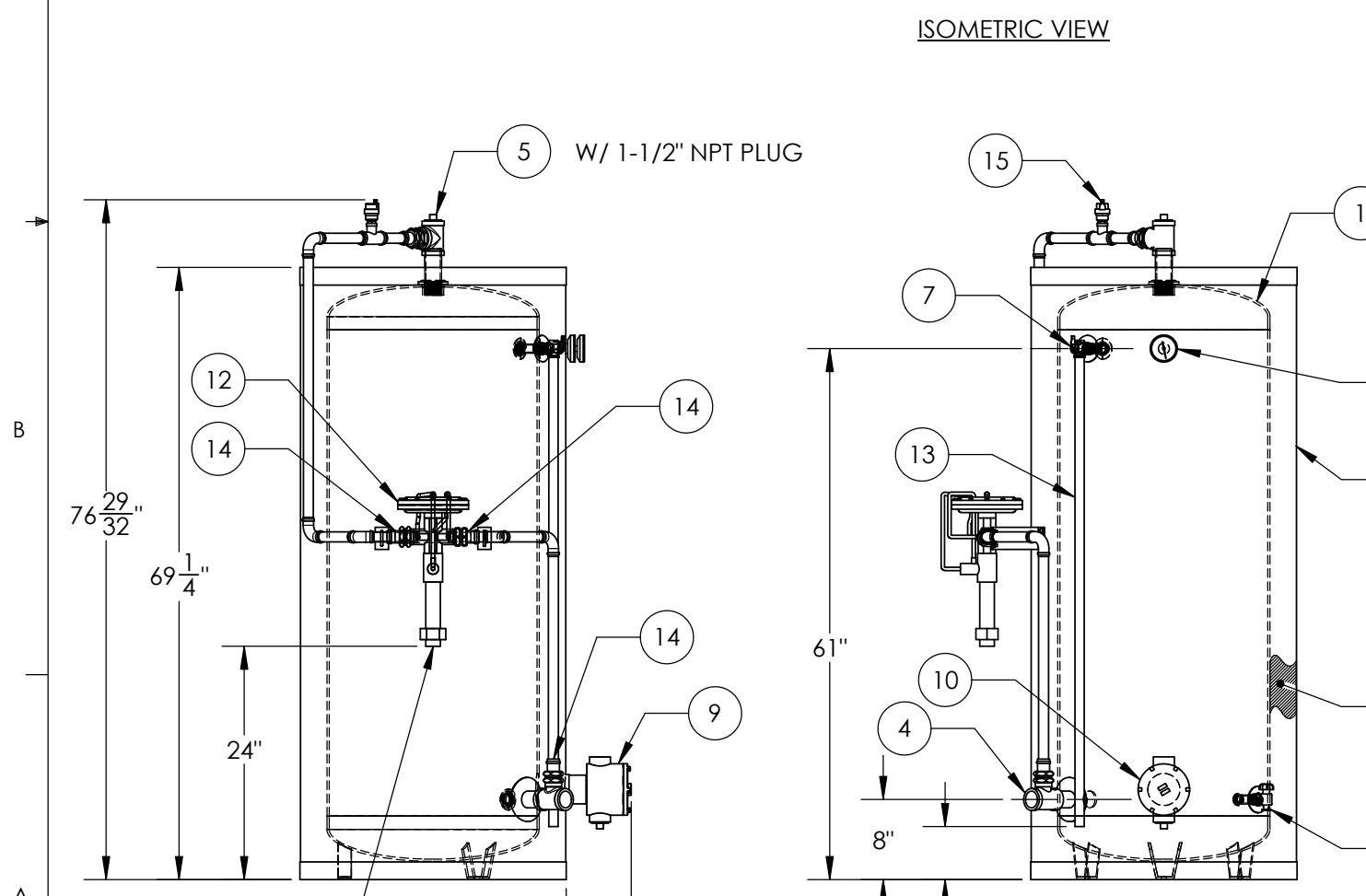
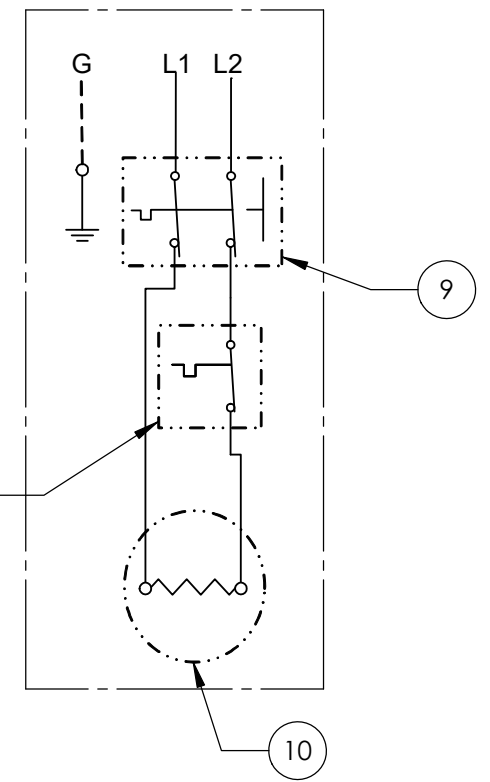


ITEM	QTY	PART NO.	MATERIAL	DESCRIPTION
1	1	----	STEEL	STORAGE VESSEL, 120GAL
2	1	----	COMPOSITE	PROTECTIVE OUTER JACKET
3	1	----	POLYURETHANE	3" ENERGY EFFICIENT INSULATION
4	1	----	BRASS	COLD WATER INLET, 1-1/2" FNPT
5	1	----	BRASS	HOT WATER OUTLET, 1-1/2" FNPT
6	1	----	BRONZE	DRAIN VALVE, 3/4" MNPT X 3/4" GHT
7	1	100XL .75 150LB	BRONZE	T&P RELIEF VALVE, 150 PSI/210°F, 3/4MNPT X 3/4 FNP
8	1	----	VARIOUS	IMMERSION THERMOSTAT, 100°F - 240°F (INSIDE ITEM# 10)
9	1	----	VARIOUS	IMMERSION HI-LIMIT, 60°-250°F (INSIDE ITEM# 10)
10	1	SR4.5SC2BR1R14	COPPER/VARIOUS	EXPLOSION RESISTANT ELEMENT, 2" MNPT, 4.5 kW @ 240V / 1PH
11	1	TRIDICATOR S/S 9"	VARIOUS	TEMPERATURE & PRESSURE GAUGE, 3" DIAL, 1/2" NPT
12	1	THERM-O-MIX/WWM	BRONZE	HIGH CAPACITY INSTANT MIXING VALVE SET AT 85°F
13	1	----	3/4" PVC	RELIEF VALVE DRAIN PIPE
14	4	----	BRONZE	UNION, 1"
15	1	AIR VENT VALVE	BRASS	AUTOMATIC FLOAT VENT VALVE, 1/8" MNPT



240VAC - 1Φ - 20.0A - 60Hz



NOTES:

- TANK IS DESIGNED FOR 150PSI WORKING PRESSURE.
- ALLOW 19" IN FRONT OF HEATER FOR REMOVAL OF HEATING ELEMENT.
- UNIT IS UL LISTED FOR USE IN CLASS I, DIV. 2, GROUP C&D HAZARDOUS LOCATIONS.
- FACTORY T'STAT TEMP SETTINGS:  
OPERATING: 170°F  
HI-LIMIT: 190°F
- ALL MIXING VALVE PIPING TO BE FACTORY INSULATED AND JACKETED WITH 2" FIBERGLASS INSULATION AND PLASTIC JACKET.

ZONE	REV.	DESCRIPTION	DATE	APPROVED
	A	REVISED ITEM #11 SIZE FROM 3/4" TO 1/2" NPT	10/10/19	

DATE	NAME	Hubbell	Stratford, CT 06615 (203) 378-2659
10/02/19	RJD	<b>The Electric Heater Company</b>	
		Customer: LEWIS COUNTY	
		Description: MODEL EMV120-85-4.5SLS-XX 120GAL. CAPACITY TEPID WATER HEATER 4.5kW - 240VAC - 1Φ - 60Hz	

**PROPRIETARY AND CONFIDENTIAL**  
THE INFORMATION CONTAINED IN THIS DRAWING IS THE SOLE PROPERTY OF THE ELECTRIC HEATER COMPANY. ANY REPRODUCTION IN PART OR AS A WHOLE WITHOUT THE WRITTEN PERMISSION OF THE ELECTRIC HEATER COMPANY IS PROHIBITED.

DIMENSIONS ARE IN INCHES  
TOLERANCES:  
(UNLESS OTHERWISE SPECIFIED)  
FRACTIONAL: ±1/4  
ANGULAR: MACH ±1/2° BEND ±1°  
TWO PLACE DECIMAL ±0.01  
THREE PLACE DECIMAL ±0.005

SIZE	DWG. NO.	REV
<b>B</b>	19-94770	A
SCALE: 1:20	FSCM: 19857	SHEET 1 OF 1