

REQUEST FOR SEALED BID

1. SCOPE

The purpose of this Bid request is to purchase a 15-ft span by 8-ft high by 56' – 6 7/8" long precast concrete split box culvert (see drawings below for reference). The box culvert structures shall support an AASHTO HL-93 loading with 3.65-ft of road fill and a maximum soil bearing pressure of 3,000 pounds per square foot. Precast units shall be connected using weld ties at 6-ft on center maximum or an approved equivalent.

Two sets of plans shall be stamped and certified by a Civil Engineer licensed in the State of Washington. Stamped plans shall be provided to Lewis County within twenty-one working days of contract award. Plans shall include connection details, lifting details, assembly, and installation details. Plans shall be reviewed and approved prior to fabrication. The successful bidder shall provide storage of all bid items for a period of up to fifteen months if needed. Lewis County anticipates placing the split box culverts structure between July 15 and September 1, 2020. Lewis County's contractor shall coordinate with the manufacturer for pick-up of the culvert between July 1 and August 28, 2020 at the manufacturer's location.

2. NOTES

- For engineering questions, contact Project Engineer Don Carney via telephone at (360) 740-2695 or email (Donald.carney@lewiscountywa.gov).
- Lewis County reserves the right to ask for descriptive literature and technical specifications at the bidders' expense.
- The bid shall include cost of material as specified.
- Federal Tax Identification Number from IRS form W-9 is required on all invoices.
- Bidders are to submit a copy of any and all warranties for the proposed product(s) with their response. A copy of the warranties shall also accompany products delivered.
- Manufacturer shall determine concrete wall and bottom thickness, split-box culvert dimensions/configuration design to achieve interior culvert dimensions depicted in the attached Culvert Plans. The minimum top thickness shall be nine inches to allow for installation of the guardrail anchor bolts. Plans depict estimated wall thicknesses, footing dimensions, etc. Note, proposed concrete split-box culvert base units shall incorporate interior side heights as depicted to allow placement of streambed material prior to placing top units.
- Culvert dimensions may vary 5% due to manufacturer's existing forms and/or process. The culvert top may be flat or partially arched depending on manufacturer design. The culvert design shall incorporate a method to block-out for attachment of guardrail via WSDOT Standard Plan C-20.41-02 or an alternate method approved by Lewis County. Guardrail attachments shall be capable of supporting TL-3 (50 MPH speed limit). The manufacturer shall mark the locations of each guardrail block-out prior to shipping. Lewis County shall provide all guardrail material and installation above the guardrail base plate anchors.

3. SPECIFICATIONS

The Contract shall be in accordance with the Washington State Department of Transportation 2018 Standard Specification for Road, Bridge, and Municipal Construction. All material components shall meet all requirements listed in the Washington State Department of Transportation 2018 Standard Specification for Road, Bridge, and Municipal Construction **Section 6-02 Concrete Structures** (including all applicable reference sections).

See Culvert Plans on Pages 4/5 and 5/5

Precast concrete exterior dimensions and culvert thicknesses are to be determined by the supplier

4. PUBLIC OPENING OF PROPOSAL

Date and Time of Bid Opening

The Board of County Commissioners of Lewis County or designee, will open sealed proposals and publicly read them aloud on or after 11:30 a.m. on March 17, 2020 at the Lewis County Courthouse, Chehalis, Washington, for the Material Purchase for King Road Culvert Project.

**SEALED BIDS MUST BE DELIVERED BY OR BEFORE
11:00 A.M. on Tuesday, March 17, 2020**

(Lewis County official time is displayed on Axxess Intertel phones in the office of the Board of County Commissioners. **Bids submitted after 11:00 AM will not be considered for this project.**)

Delivery and Marking of Sealed Bid Proposals

Sealed proposals must be delivered to the Clerk of the Board of Lewis County Commissioners (351 N.W. North Street, Room 210, CMS-01, Chehalis, Washington 98532) by or before **11:00 a.m.** on the date specified for opening, and in an envelope clearly marked: **“SEALED BID FOR MATERIAL PURCHASE Precast Reinforced Concrete Split Box Culvert, KING ROAD CULVERT PROJECT, TO BE OPENED ON OR AFTER 11:30 A.M. ON TUESDAY, MARCH 17, 2020.”**

All bid proposals shall be accompanied by a bid proposal deposit in cash, certified check, cashier's check or surety bond in an amount equal to five percent (5%) of the amount of such bid proposal. Should the successful bidder fail to enter into such contract within the time stated in the specifications, the bid proposal deposit shall be forfeited to the Lewis County Public Works Department.

5. BID SUBMITTALS (Entries shall be typed or entered using an ink pen)

Item	Description	PRICE SHEET		Unit Price	Total Price
		Quantity	Unit		
1	15 ft. span by 8 ft. high by 56' – 6 7/8" long Precast Concrete Split Box Culvert	1	Lump Sum	_____	_____
SUBTOTAL					_____
Applicable Sales Tax					_____
TOTAL					_____

6. CONDITIONS

By signature below, the Authorized Official(s) of the company submitting this Proposal do hereby acknowledge that in the event this Proposal is deemed to be the lowest responsible bid, this document shall be construed to be the legal contract for the purchase of the materials specified herein. The successful bidder shall be liable, and hereby agrees to reimburse Lewis County, for any and all costs incurred by Lewis County due to delays in the fabrication of any materials specified herein beyond the agreed delivery date as identified in Part 1. The liability for costs due to material fabrication delays shall be limited to the total cost of the bid for the materials as contained in this Proposal. Please be apprised that a bid bond shall accompany this proposal in order for this proposal to be valid as per the Call for Bid.

*Receipt is hereby acknowledged of addendum(s) Number(s) 1 ____ , 2 ____ , 3 ____.

SIGNATURE OF AUTHORIZED OFFICIAL(S)

Proposal Must be Signed

Company Name

Address

Unified Business Identifier (U.B.I.) No.

Telephone #

Federal ID No.

FOR COUNTY USE ONLY

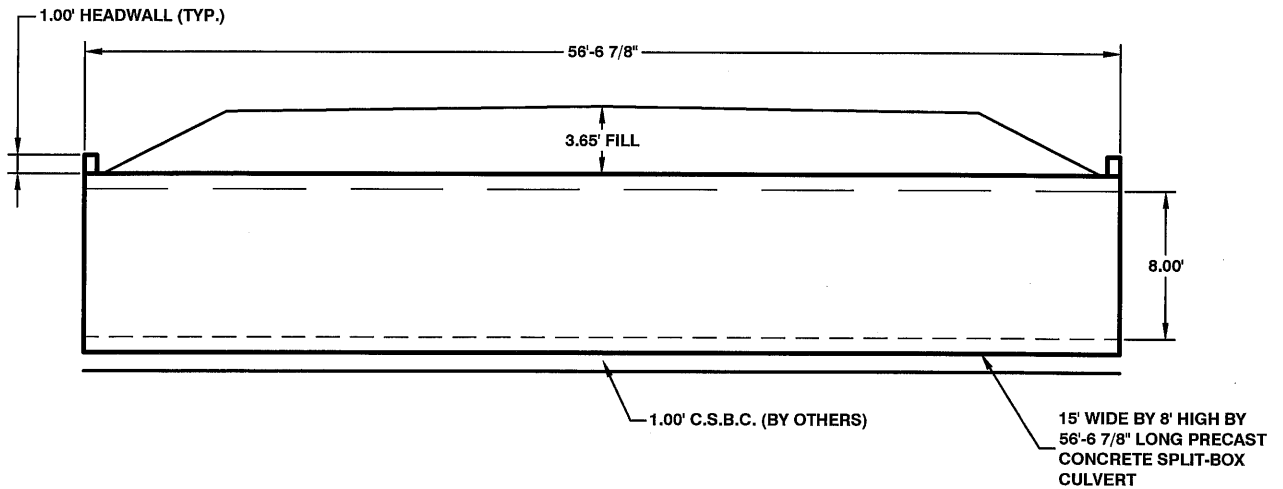
AWARD RESOLUTION NO. _____

APPROVED:

County Engineer

PROFILE VIEW A-A

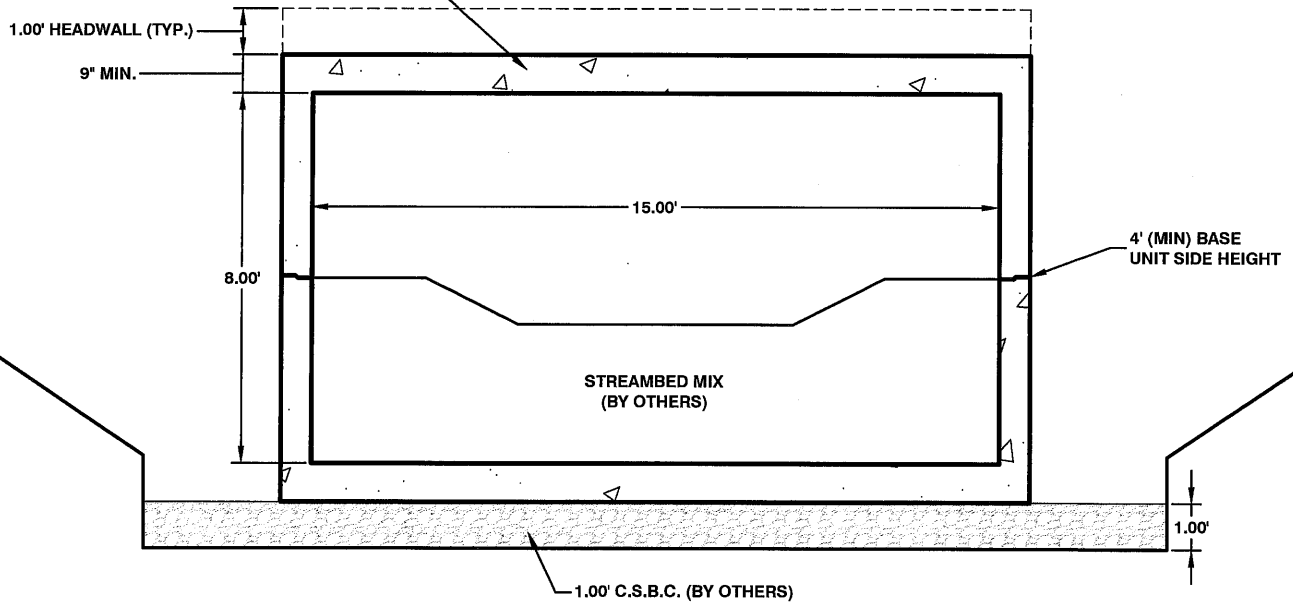
1" = 5'



SECTION VIEW

1" = 2'

15' WIDE BY 8' HIGH BY 56'-6 7/8" LONG PRECAST CONCRETE SPLIT-BOX CULVERT WITH 3.65' FILL TO ROADWAY CENTERLINE (ARCH TOP ALSO ACCEPTABLE)



NOTES:

* CULVERT DIMENSIONS MAY VARY 5% DUE TO MANUFACTURER'S EXISTING FORMS AND/OR PROCESS

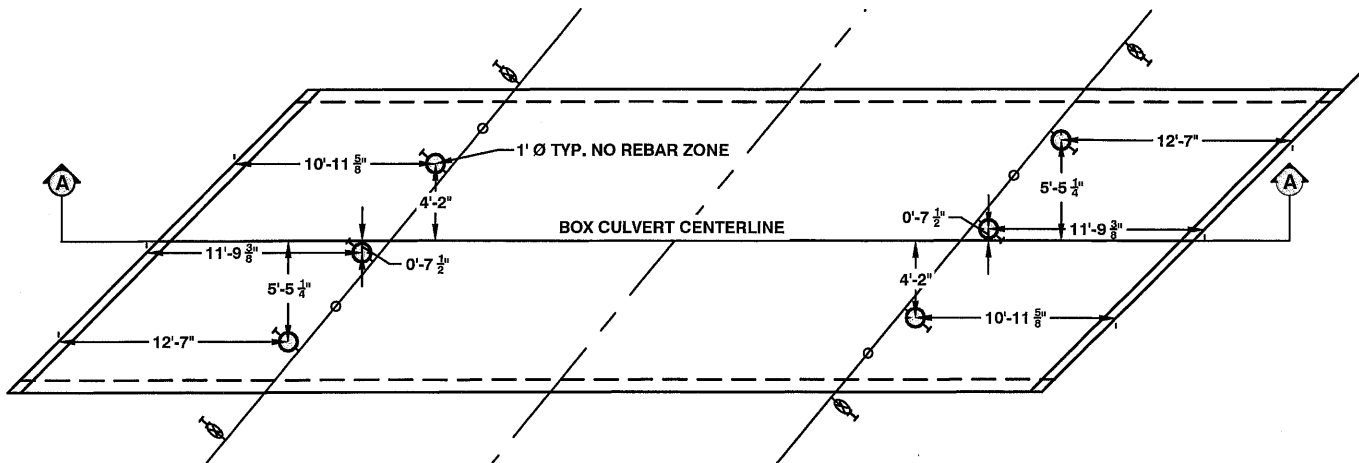
** DEPTH OF FILL ABOVE CULVERT 3.65'

LEWIS COUNTY PUBLIC WORKS PAGE 4 OF 5
 CULVERT MATERIAL PURCHASE DATE: 02/26/2020
 CMP 1509 - KING CREEK
 KING ROAD MP 5.31



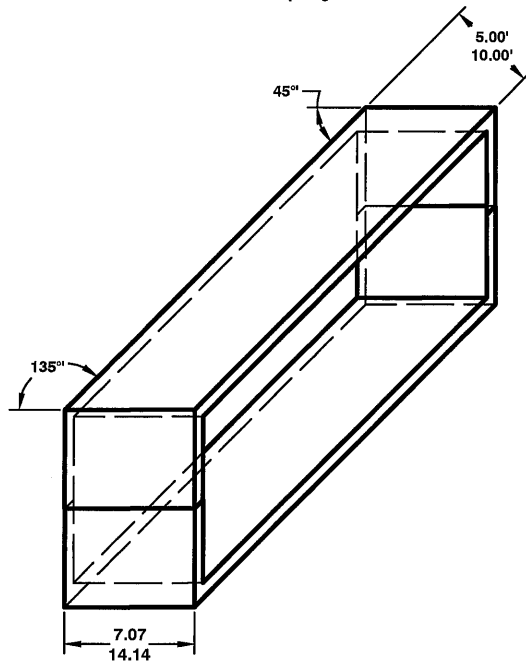
PLAN VIEW

1" = 5'



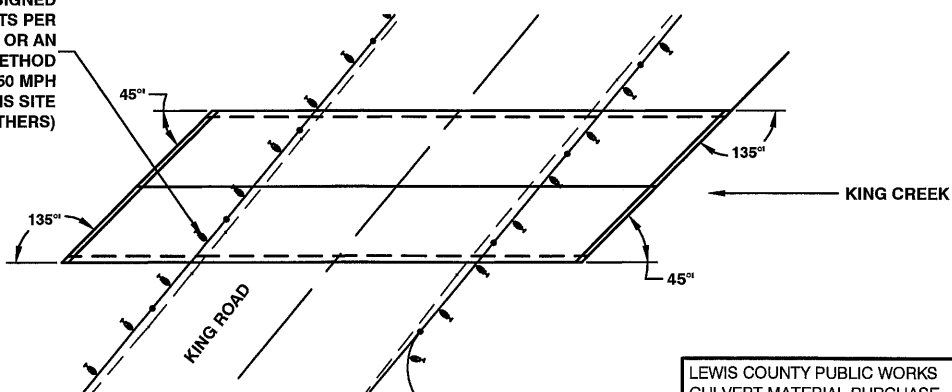
SUGGESTED BOX CULVERT SECTION DETAIL

1" = 5'



PLAN VIEW

1" = 10'



THE PRECAST 15'x8'x56'-6 7/8" CONCRETE SPLIT-BOX CULVERT SHALL BE DESIGNED TO ATTACH GUARDRAIL POSTS PER WSDOT STANDARD PLAN C-20.41-02 OR AN ALTERNATE ATTACHMENT METHOD APPROVED BY LEWIS COUNTY -- 50 MPH POSTED SPEED LIMIT AT THIS SITE (GUARDRAIL COMPONENTS BY OTHERS)



LEWIS COUNTY PUBLIC WORKS PAGE 5 OF 5
 CULVERT MATERIAL PURCHASE DATE: 02/26/2020
 CMP 1509 - KING CREEK
 KING ROAD MP 5.31